

CALM C

CALM C acoustic louvre is part of the CALM Acoustic louvre range. Plant room openings, cooling towers, condenser plant etc., will produce sound pressure levels which may exceed existing or required noise criteria at prescribed distances from the building. CALM C is able to provide attenuation that will meet the most stringent criteria. If a single bank of louvres does not provide the required noise control, double banks of louvre can be used.

The new mounting clip made out of Polyoxymethylene (POM) plastic was designed to ensure solid and easy assembly by clicking the louvres into the pre-punch holes.

To ensure the most economical solution, noise control must be considered at the earliest possible design stage. Retrofit installation can be significantly more expensive.



FEATURES AND BENEFITS

SIZES

CALM is a modular system with each module having the minimum and maximum sizes given below. The modules can be combined to form larger panels.

- Width** - Min 300mm - Max 1220mm
- Height** - min 578mm - Max 2078mm
- Depth** - 300mm
- Pitch** - 300mm

Note:

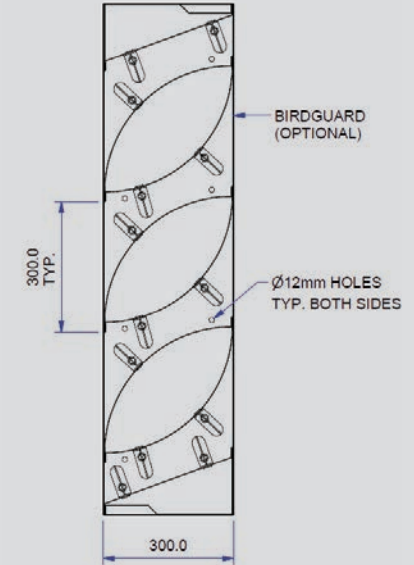
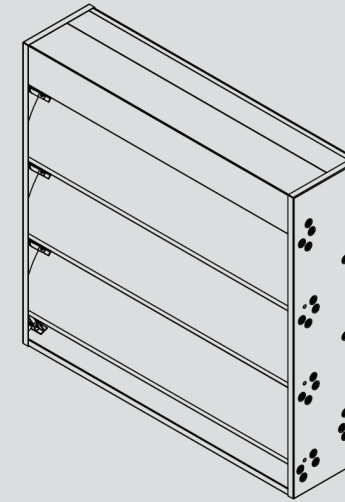
Width available in 1mm increments
Height available in 1mm increments

MATERIAL

The outer casing and louvre blades are made from aluminium alloy type 3000 Series. The infill is either organic mineral wool or glass fibre of 47kg/m³ density and packed under not less than 5% compression to eliminate voids due to settlement. The infill is inert, as well as vermin, rot and moisture proof.

WEIGHT

Weight 50kg/m²



PERFORMANCE DATA

Aerodynamic Performance

Static pressure drop Pascals (Pa)												
Louvre model	10	20	30	40	50	60	70	80	90	100	150	200
Face velocity metres per second (m/s)												
CALM C	0.98	1.39	1.71	1.85	2.18	2.39	2.60	2.75	2.93	3.10	3.78	4.36

Transmission Loss (T.L.) - Defined as the ratio, in decibels, of acoustic energy transmitted through the louvre to that incident upon it.

Octave Band Centre Frequency (Hz)	Louvre Depth (mm)	63	125	250	500	1K	2K	4K	8K
CALM C	300	5	7	11	12	13	14	12	9

Noise Reduction (N.R.) - The free-field noise reduction of a louvre is the difference, in decibels, between the sound pressure level on the noise source of the louvre and that measured outdoors on the side of the louvre away from the noise source.

Octave Band Centre Frequency (Hz)	Louvre Depth (mm)	63	125	250	500	1K	2K	4K	8K
CALM C	300	11	13	17	18	19	20	18	15

