

Securex is an explosion relief ventilator which has been designed to minimise the effects of an explosion on the structure of a building. It rapidly opens and thereby dissipates excess internal pressure caused by that explosion.



FEATURES AND BENEFITS

ASSEMBLY

Colt Securex has been successfully tested by the German DMT Institute for Explosion Protection, Dortmund. Colt Securex ventilators can be installed onto flat roofs, into walls or onto sloping surfaces from the horizontal to the vertical. If the ventilator is to be assembled onto steel frames the flange can be prefabricated. The design of the unit makes for a trouble-free installation.

LOCKING

In the closed position the lid is locked closed by a stainless steel bolt and two spring pins which are designed to release the lid at a pressure of 16 mbar or above.

BASE

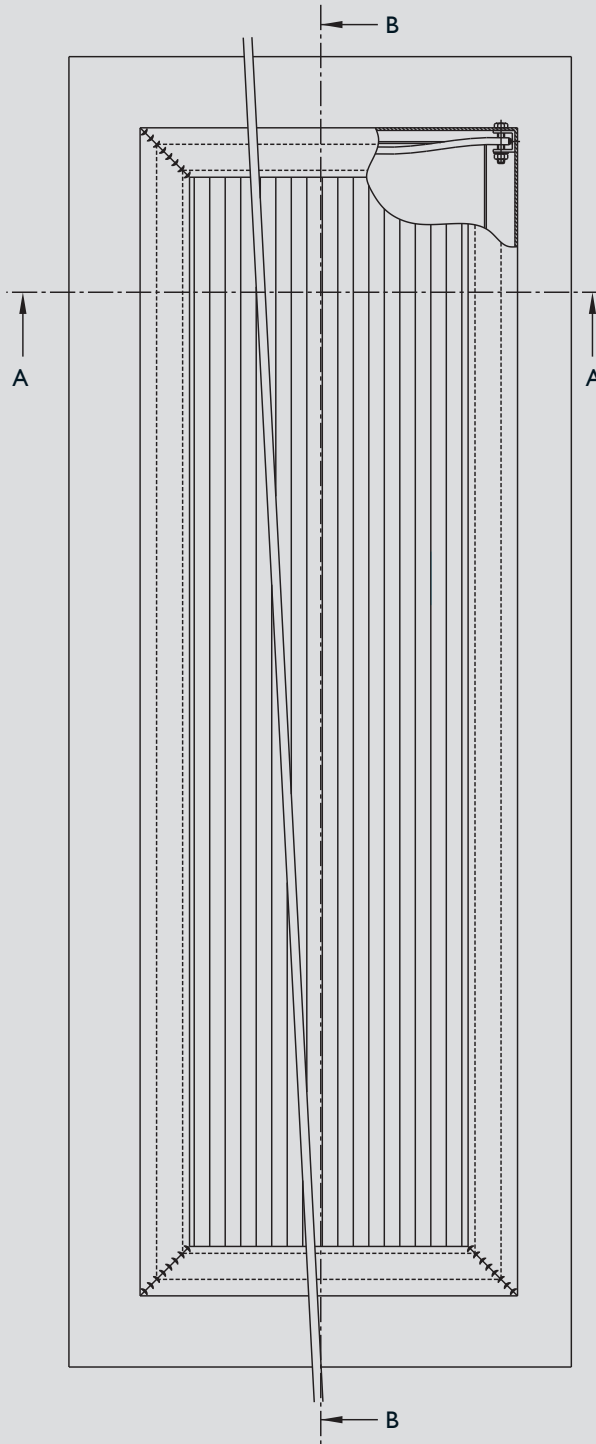
The base and flange are manufactured out of high-quality aluminium alloy (EN AW-3005). The flange can be adapted to the requirements of the installation.

LID

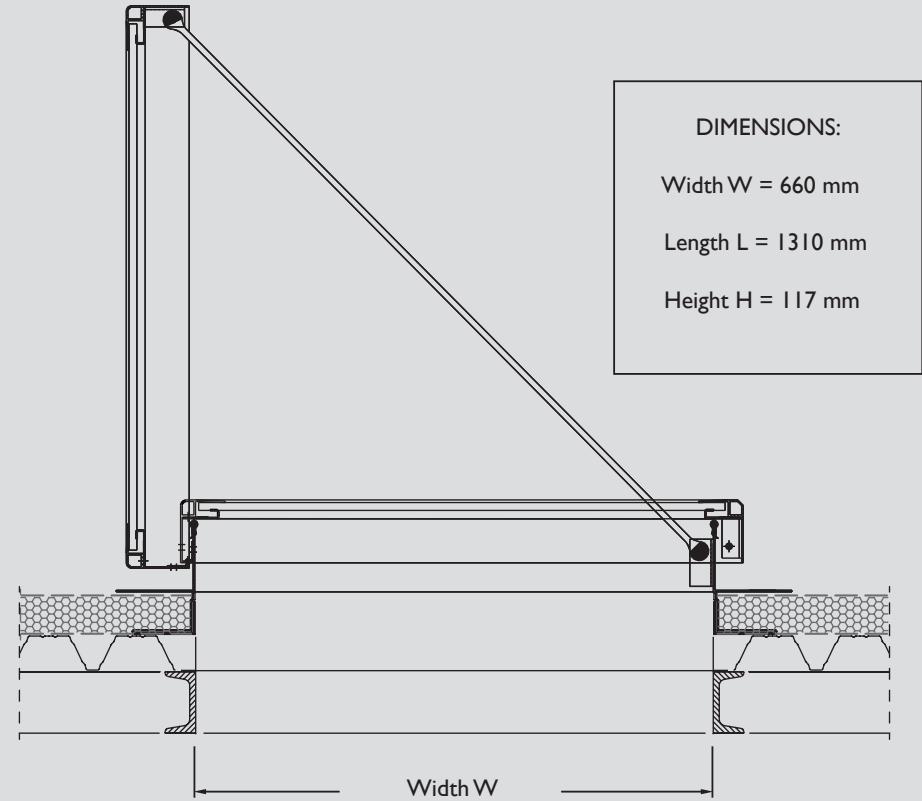
The lid consists of an uninsulated all-round extrusion made from aluminium alloy into which is fitted a clear or opaque polycarbonate panel which can be either 10 or 16 mm thick. The lid is fastened with stainless steel hinges to the base. The ventilator can also be supplied with a non-transparent non-insulated lid.

ARRESTING ROPES

Elastic polyamide ropes arrest the opening movement of the lid so as to avoid it damaging the unit when it opens. Once a visual check for damage has been carried out, the unit can be closed manually and then it is fully functioning once again.



Section A – A



DIMENSIONS:
 Width W = 660 mm
 Length L = 1310 mm
 Height H = 117 mm

Section B – B

